

D5FH
B5A 9

65 H9F M< C @ 8 9F! '& 5 5 5

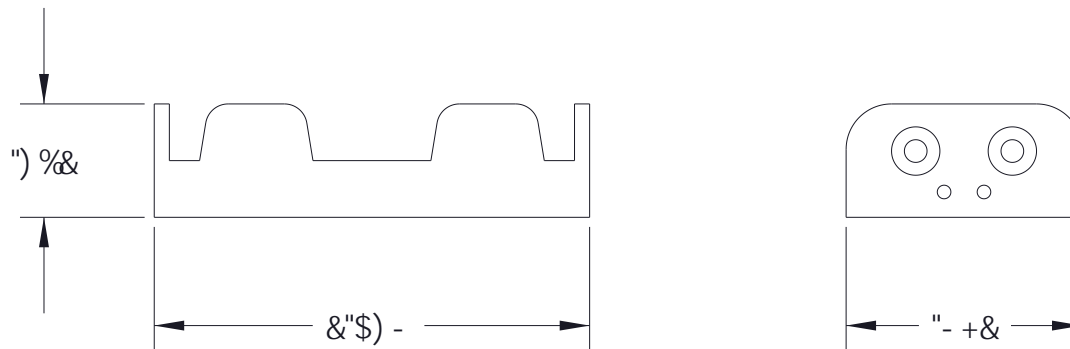
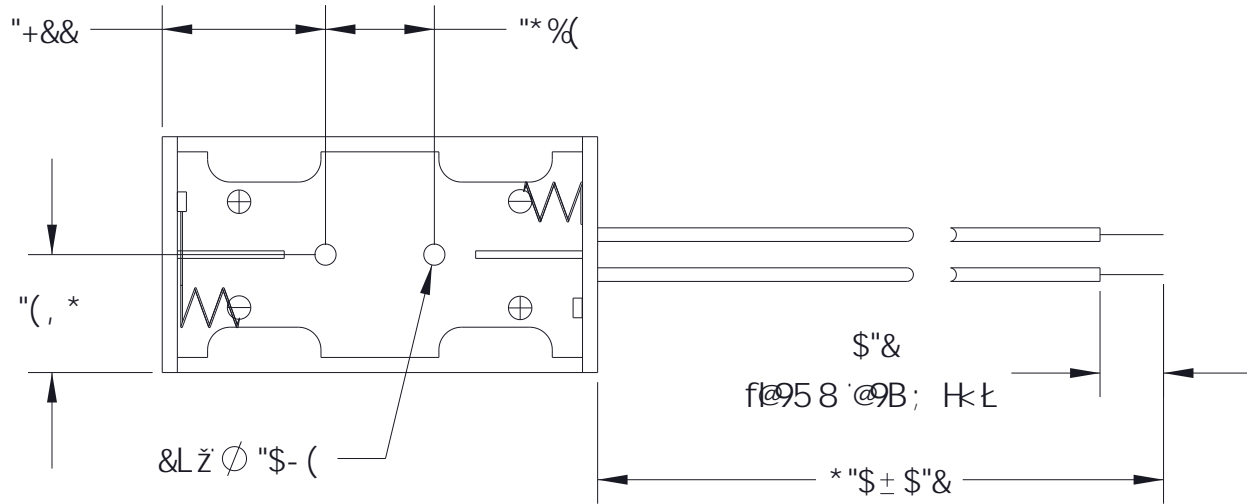
D5FH
Bc"

<<! ' *' \$

F9J €€ B
85H9

\$, A 5M\$+

A 5 H9F 5 @ 'DC @ MFC DM @ 9B 9



5 @ @HC @ 9F 5B 7 9G 5F 9 Ž #! "\$"%) 'I B @ 9GGC Hk 9FK €9 GD97 ÷ 98"